

The quest for speed

Saulius Gražulis

Vilnius, 2020

Vilnius University, Faculty of Mathematics and Informatics
Institute of Informatics



This set of slides may be copied and used as specified in the
[Attribution-ShareAlike 4.0 International](#) license



Long-mode memory management

Besser als viel Speicher ist noch mehr Speicher...

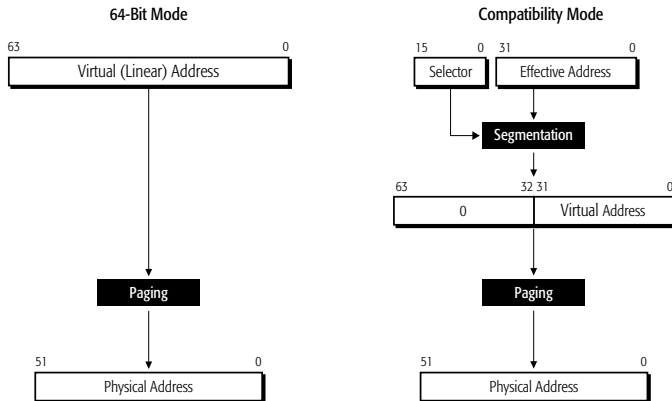
(Better than much memory is even more memory...)

A German joke

- Paging
- Segmentation

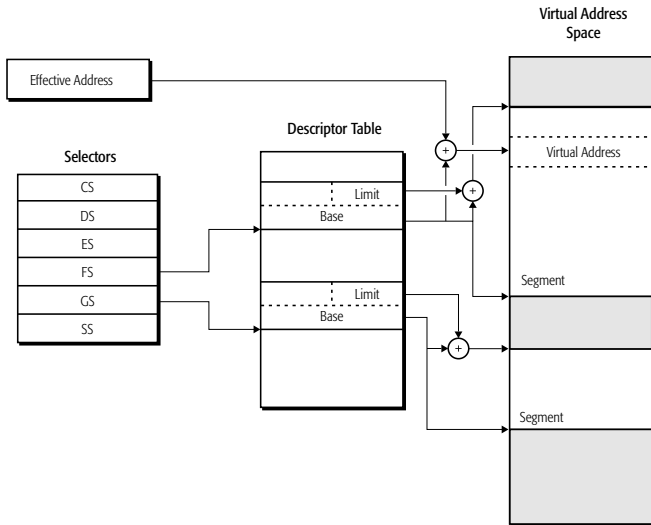
Long-mode memory management

x86, 86_64 CPU



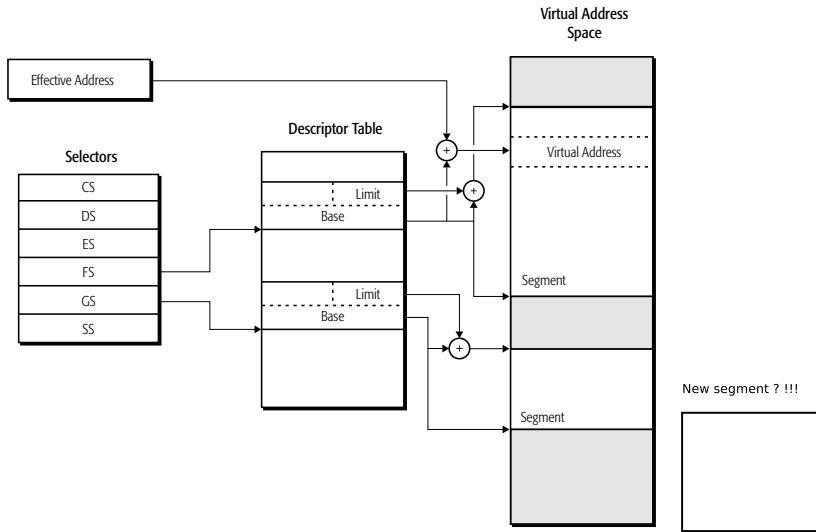
(AMD 2017)

Virtual memory. Segmentation



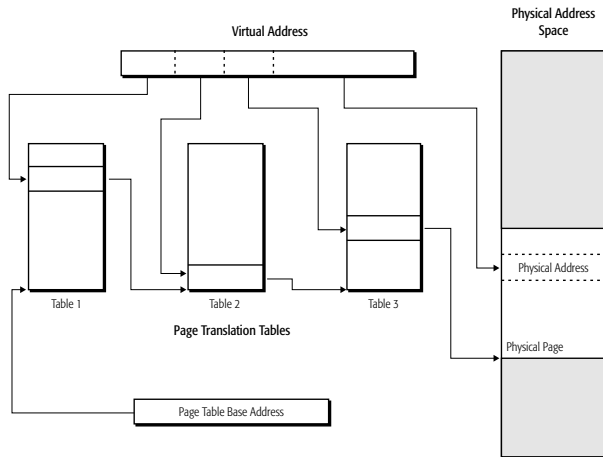
(Жмакин 2006; AMD 2012)

Virtual memory. Segmentation



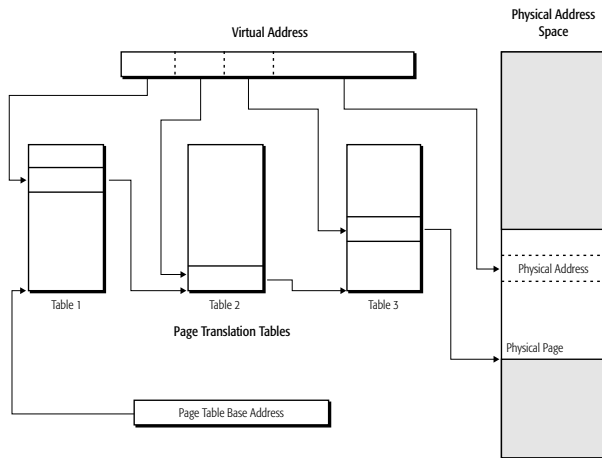
(Жмакин 2006; AMD 2012)

Virtual memory. Paging



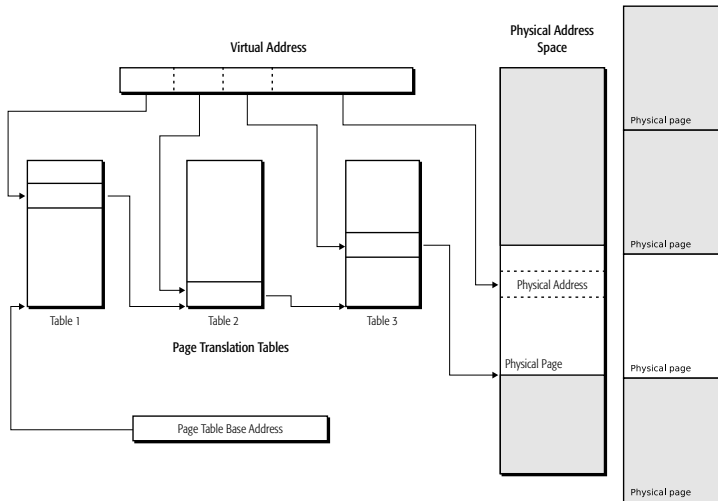
(AMD 2012)

Virtual memory. Paging



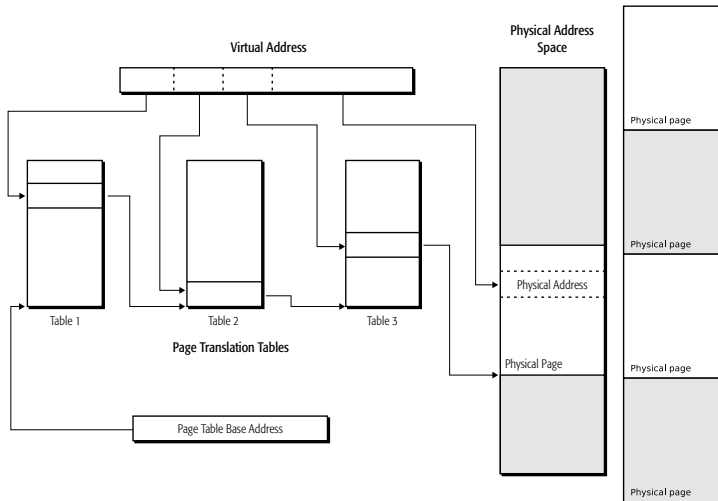
Translation-Lookaside Buffer (TLB) \Leftrightarrow page-translation cache
(AMD 2012)

Virtual memory. Paging



Translation-Lookaside Buffer (TLB) \Leftrightarrow page-translation cache
(AMD 2012)

Virtual memory. Paging



Translation-Lookaside Buffer (TLB) \Leftrightarrow page-translation cache
(AMD 2012)

Virtual memory. Various page sizes

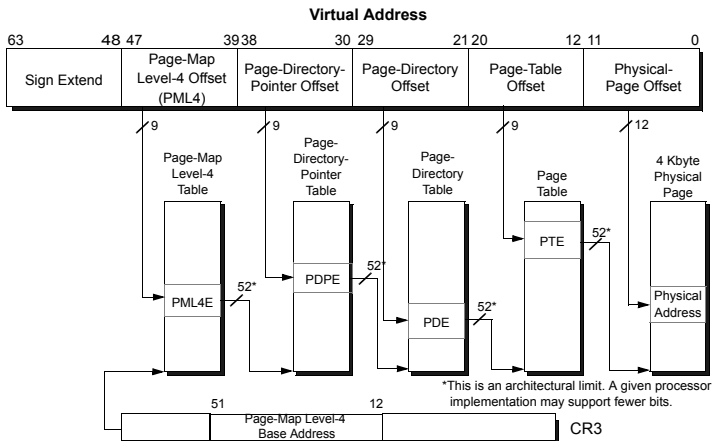


Figure 5-17. 4-Kbyte Page Translation—Long Mode

Virtual memory. Various page sizes

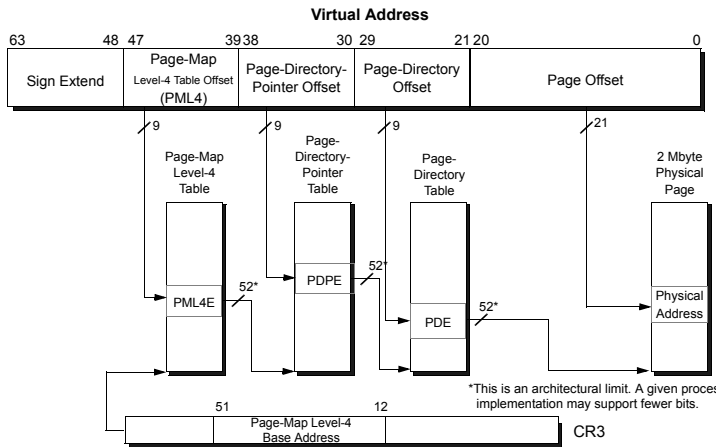


Figure 5-22. 2-Mbyte Page Translation—Long Mode

Virtual memory. Various page sizes

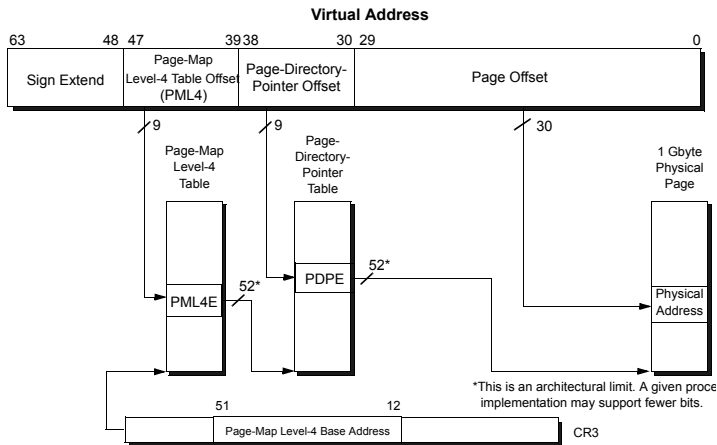


Figure 5-26. 1-Gbyte Page Translation—Long Mode

Virtual memory. Page attributes

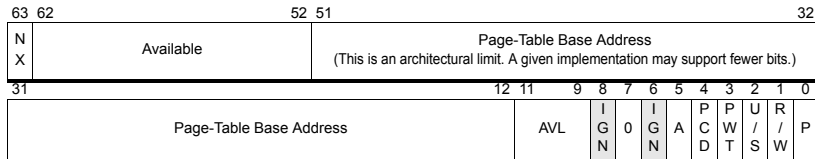


Figure 5-20. 4-Kbyte PDE—Long Mode

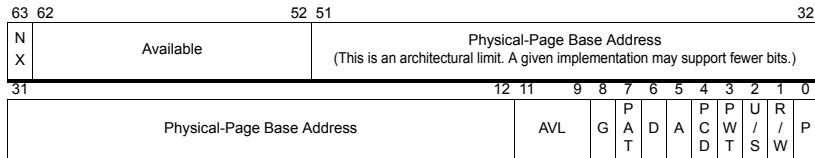
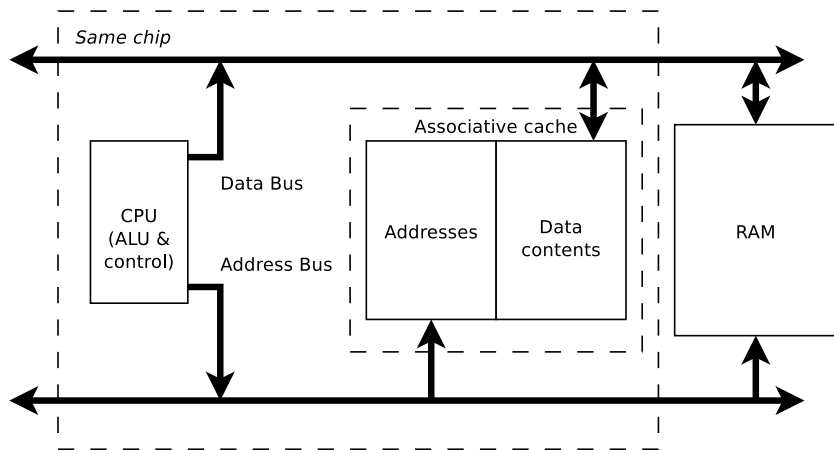


Figure 5-21. 4-Kbyte PTE—Long Mode

(AMD 2012)

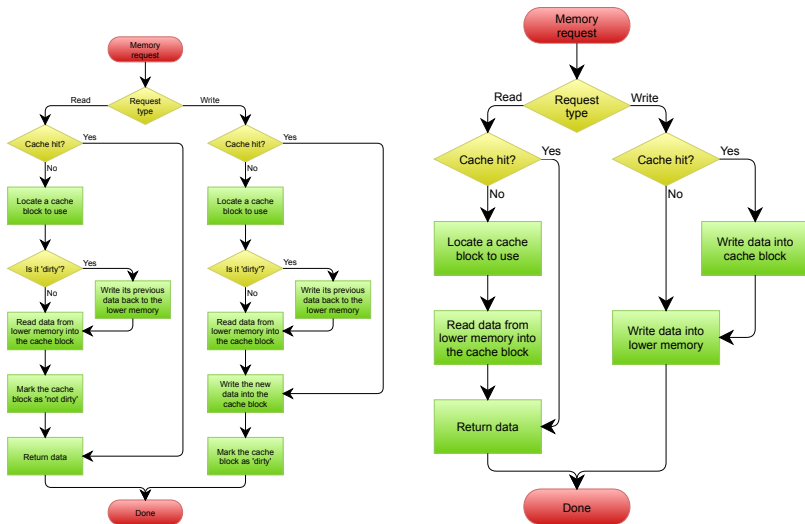
Cache memory

Associative cache

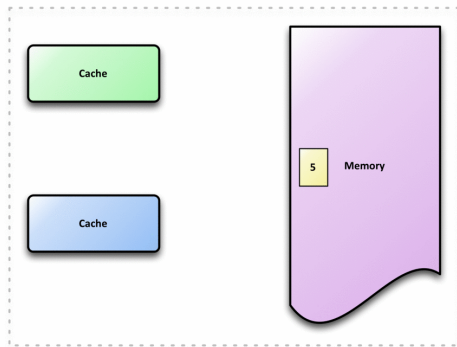


(Жмакин 2006)

Cache updates

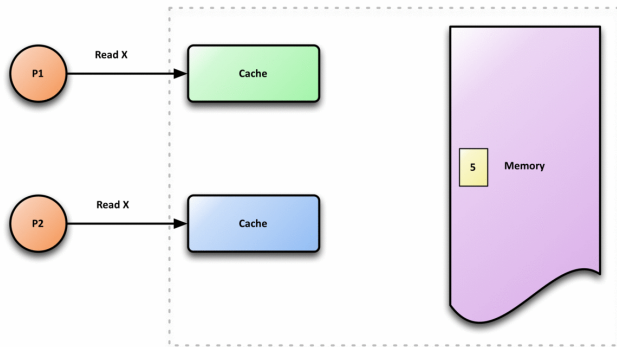


Cache coherence



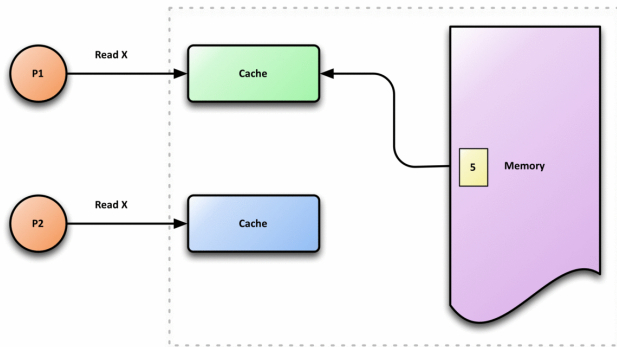
By M3tainfo - Own work, CC BY-SA 4.0

Cache coherence



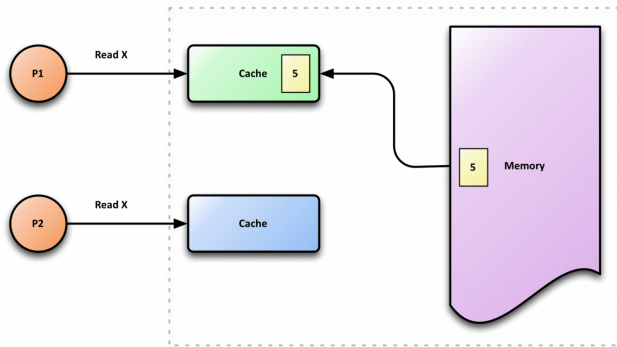
By M3tainfo - Own work, CC BY-SA 4.0

Cache coherence



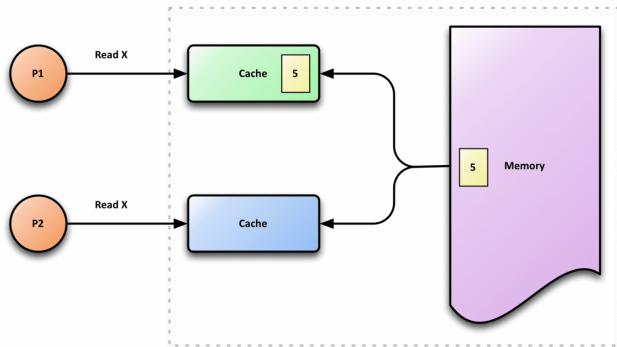
By M3tainfo - Own work, CC BY-SA 4.0

Cache coherence



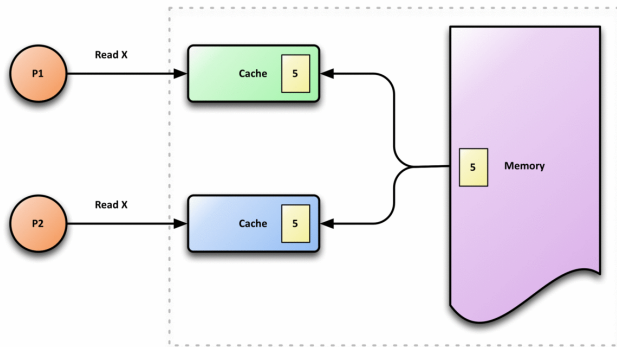
By M3tainfo - Own work, CC BY-SA 4.0

Cache coherence



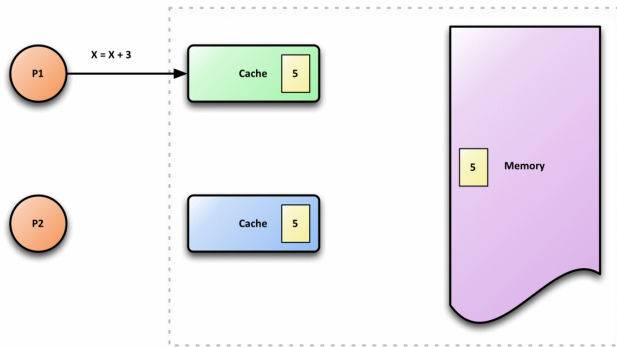
By M3tainfo - Own work, CC BY-SA 4.0

Cache coherence



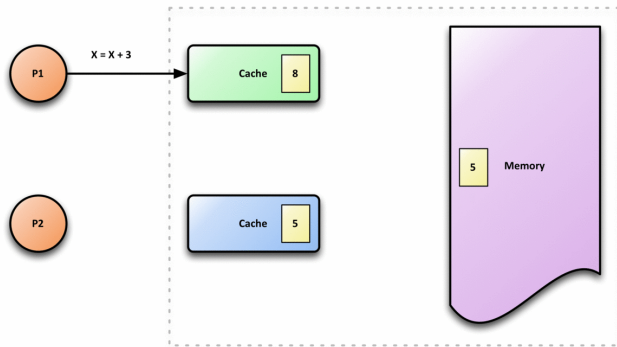
By M3tainfo - Own work, CC BY-SA 4.0

Cache coherence



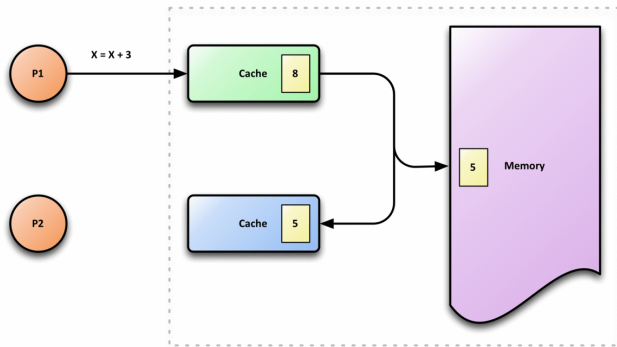
By M3tainfo - Own work, CC BY-SA 4.0

Cache coherence



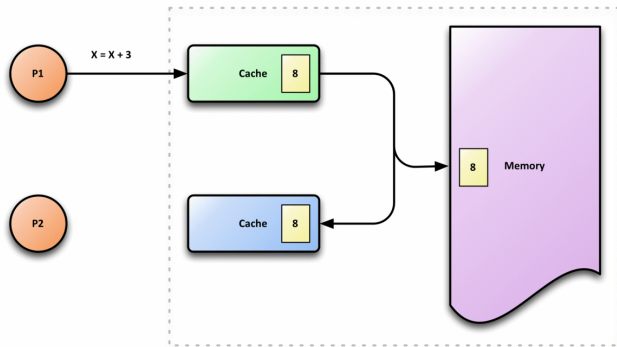
By M3tainfo - Own work, CC BY-SA 4.0

Cache coherence



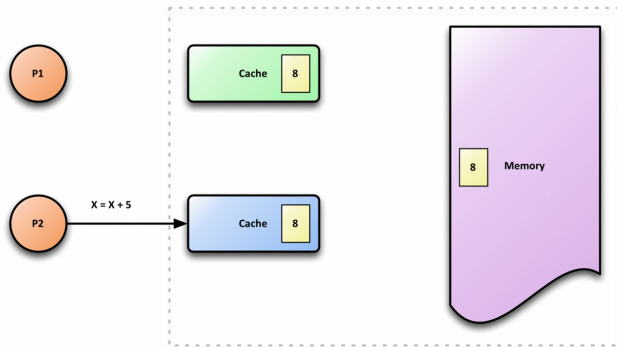
By M3tainfo - Own work, CC BY-SA 4.0

Cache coherence



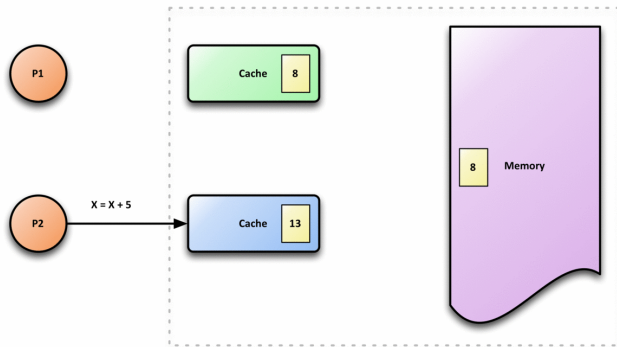
By M3tainfo - Own work, CC BY-SA 4.0

Cache coherence



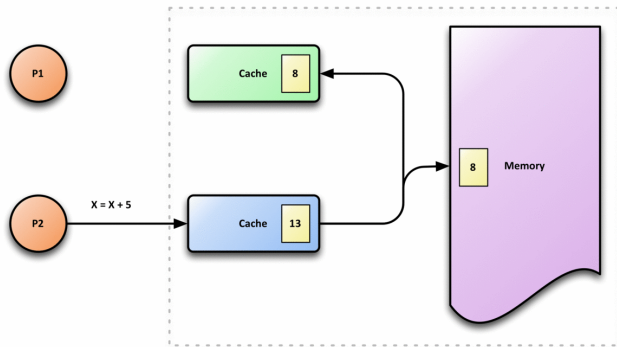
By M3tainfo - Own work, CC BY-SA 4.0

Cache coherence



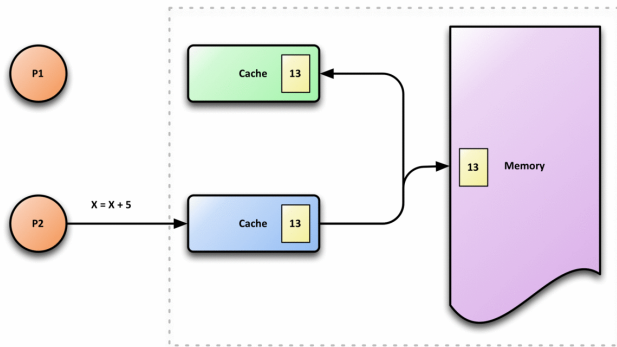
By M3tainfo - Own work, CC BY-SA 4.0

Cache coherence



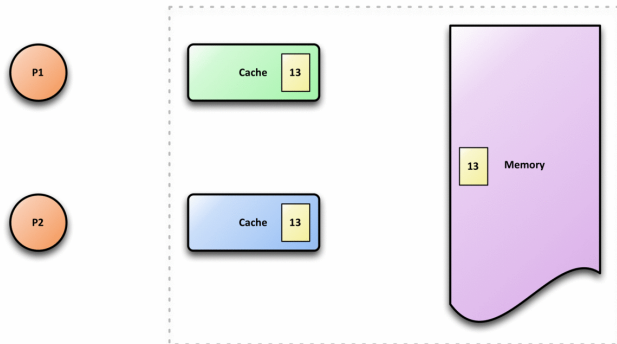
By M3tainfo - Own work, CC BY-SA 4.0

Cache coherence



By M3tainfo - Own work, CC BY-SA 4.0

Cache coherence



By M3tainfo - Own work, CC BY-SA 4.0

Scientific number notation

$$602 \underbrace{00 \dots 0}_{21 \text{ times}} = 6.02 \times 10^{23}$$

$$\pm d_0.d_1 d_2 \dots d_{p-1} \times \beta^e = \sum_{i=0}^{p-1} d_i \beta^{-i} \times \beta^e, (0 \leq d_i < \beta)$$

Floating point numbers

$$\pm d_0.d_1d_2\dots d_{p-1} \times \beta^e = \sum_{i=0}^{p-1} d_i\beta^{-i} \times \beta^e, (0 \leq d_i < \beta)$$

$$\beta = 2$$

$$0.1 \approx 1.10011001100110011001101 \times 2^{-4}$$

- Signed magnitude (significand)
- Biased exponent
- Hidden (assumed) bit

$$0.1 \approx 1.10011001100110011001101 \times 2^{-4}$$

p : 23+1 bit e : $-126 - 127$ (8 bits)

$$f = 1.10011001100110011001101$$

$$e = 127 + (-4) = 123_{10} = 01111011_2$$

0 01111011 10011001100110011001101

- AMD (Sept. 2012). *AMD64 Architecture Programmer's Manual, Volume 2: System Programming*. Vol. 2. AMD. URL: http://developer.amd.com/wordpress/media/2012/10/24593%5C_APM%5C_v2.pdf.
- (Dec. 2017). *AMD64 Architecture Programmer's Manual, Volume 1: Application Programming, revision 3.22*. AMD. URL: <https://www.amd.com/system/files/TechDocs/24592.pdf>.
- Жмакин, А. П. (2006). *Архитектура ЭВМ*. БХВ-Петербург. ISBN: 5-94157-719-2.